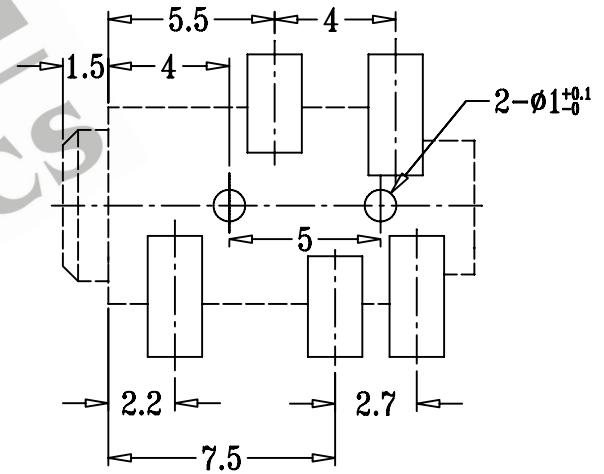
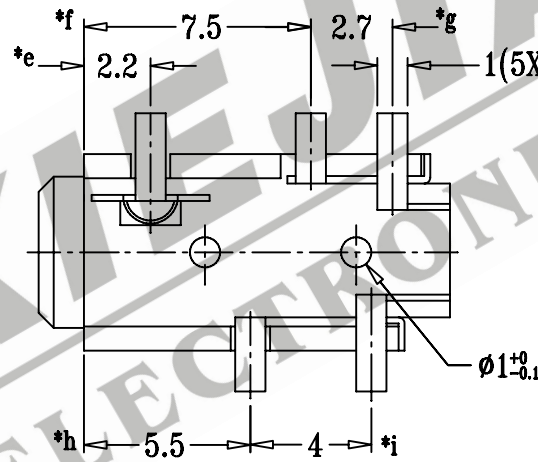
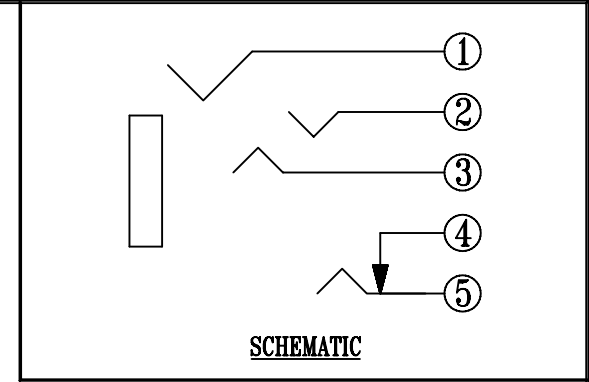
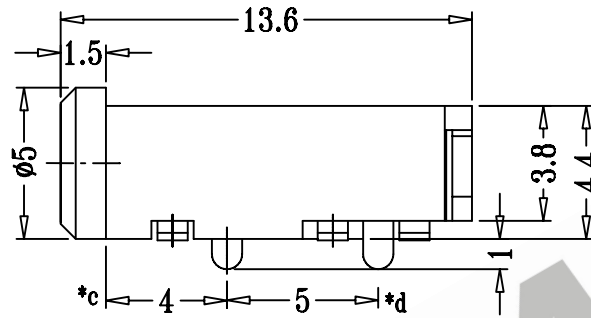
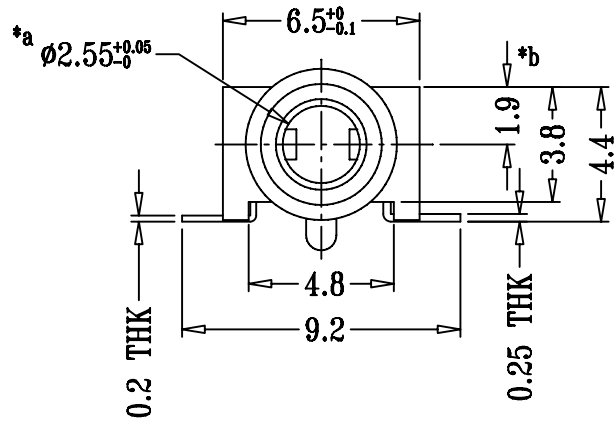


CAD FILE:



P.C.B LAYOUT

注:带*表示关键尺寸(9个)

NO.	PARTS	MATERIALS	QTY	FINISH	TOLERANCE UNLESS SPECIFIED	SHENZHEN XIEJIA ELECTRONICS CO.,LTD.				
8										
7										
6	SPRING TERMINAL E	PBS STRIP	1	Au PLATED	WITHIN: 1.5 ± 0.1mm OVER: 1.5 ± 0.2mm	ISSUE	DATE	DESCRIPTIONS OF REVISION		APPD
5	SPRING TERMINAL D	PBS STRIP	1	Au PLATED						
4	TERMINAL C	BRASS STRIP	1	Au PLATED	TITLE: PHONE JACK	UNIT : mm	DRWG NO.: XJ-DR-ST105-00			
3	SPRING TERMINAL B	PBS STRIP	1	Au PLATED	MODEL: ST-105	SCALE: 4 : 1	DWN	ZHOUYU	2005-7-18	
2	TERMINAL A	PBS STRIP	1	Au PLATED			CHK'D	FANGYING	2005-7-18	
1	CASE	PBT+94V0+F.G	1	BLACK	ALL MATERIALS MUST BE COMPLIANT TO ROHS		APPD	KANGXINAN	2005-7-18	